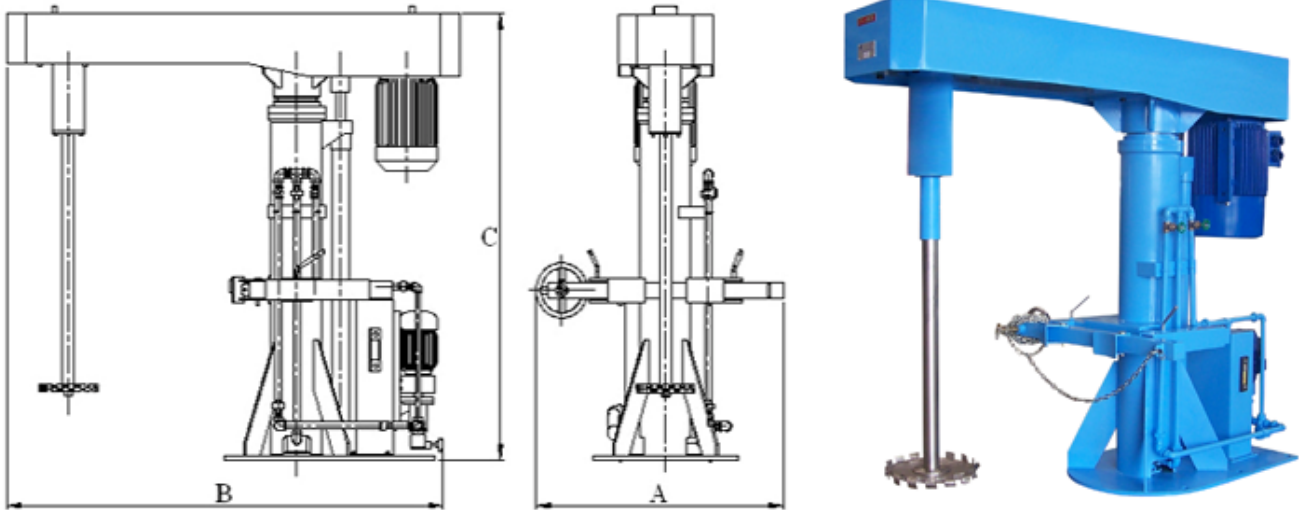




P-Mix Dispersing and Mixer for Production



Standard Series

High speed mixer & Dissolver for low-medium Viscosity liquid with capacity range 50-1500 liters

- ❖ Adjustable high speed inverter
- ❖ Hydraumatic system for lift up down
- ❖ Easy operation and maintenance

Option

- Explosion proof type of motor and control panel
- Techo-Meter
- Aavailable move head

Model	Motor (HP)	Speed (rpm)	Mixing Cap (liters)	Impeller (mm)	Stroke (mm)	A Width (mm)	B Length (mm)	C Height (mm)	Height+ Stroke (mm)	Weight (Kg)
P-Mix 3/3 Ex	3	0 - 2000	150	150	900	730	1330	1380	2280	387 / 420
P-Mix 5/5 Ex	5	0 - 2000	200	150	1115	730	1600	1670	2785	450 / 473
P-Mix 10/10 Ex	10	0 - 2000	500	200	1050	1070	1950	1800	2850	920 / 940
P-Mix 15/15 Ex	15	0 - 2000	800	200	1050	1070	1950	1800	2850	920 / 950
P-Mix 20/20 Ex	20	0 - 2000	1000	250	1050	1070	1950	1800	2850	940 / 980
P-Mix 30/30 Ex	30	0 - 2000	1200	300	1050	1070	2200	2040	3090	1060 / 1106
P-Mix 40/40 Ex	40	0 - 2000	1300	350	1050	1070	2200	2040	3090	1080 / 1140
P-Mix 50/50 Ex	50	0 - 2000	1500	400	1050	1070	2200	2040	3090	1112 / 1180

P.General Products : 234 Moo.5,Prakasa Road.,Prakasa,Muang,Samutprakarn 10280 Thailand.

Tel:(662)728-5246-8 Fax:(662)728-5249

E-mail:info@p-general.com